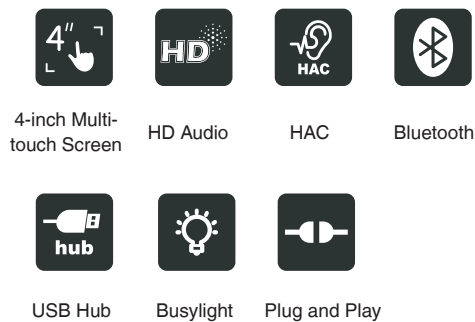


USB Phone Compatible with Microsoft® Teams & UC

Yealink MP50 is a brand-new and affordable USB phone which can integrate a variety of devices into a single phone via USB wired connection and Bluetooth wireless pairing, creates an all-in-one UC workstation. MP50 features a 4.0-inch capacitive touch screen and the consistent Teams-tailored interaction, will provides you a UC calling experience with PC and Mobile.



Key Features and Benefits

Ideal All-in-one UC Workstation

For users who want an efficient productivity workspace, the MP50 is designed as an all-in-one UC workstation, can be connected to all your UC devices for unified call control.

- 1) With mobile phone connected, MP50 can provide the mobile phone calling experience by leveraging the wireless Bluetooth Technology.
- 2) The integrated 3-ports USB hub would extend your personal PC USB port usage, you can add multiple peripherals to PC via a single USB port.
- 3) MP50 can also be used as speakerphone that presents the immersive sound for either hands-free calling or music.

Plug and Play

As a USB phone, simply connect the MP50 to any PC or mobile, it will be automatically recognized and instantly be ready to start placing or receiving phone calls, rewards you with a trouble-free plug and play experience. MP50 supports Yealink USB Connect deployment, making it simple to manage and upgrade, compared with Android Phone there will be less work for admin to do the maintenance.

Excellent User Experience

The MP50 compatible with Microsoft Teams, Skype for Business and more UC applications, is intuitive and easy to use with an efficient 4.0-inch capacitive touch screen, classic handset and hard dial pad. Thanks to Yealink Optima HD voice, and the hardware of full-duplex hands-free speakerphone with AEC and HAC handset, MP50 can deliver a crystal-clear voice communications experience.

- 4.0 inch (480 x 800) Capacitive Touch Screen
- 3-ports USB 3.0 Hub
- Supports Bluetooth Headset
- Supports BT50 Dongle for PC
- Supports Busylight
- Optimal HD Audio
- Yealink Noise Proof Technology
- Full-duplex Hands-free Speakerphone with AEC
- Dedicated Teams Button
- Microsoft Teams-tailored User Interface
- Teams and Skype for Business Compatible

Audio Features

- HD voice: HD handset, HD speaker
- Hearing aid compatible (HAC) handset
- Full-duplex hands-free speakerphone with AEC
- Noise suppression (NS)
- Digital Signal Processing (DSP)
- Adaptive Jitter Buffer (AJB)
- Automatic Gain Control(AGC)

Call Features

- Incoming/Outgoing P2P call
- Mobile PSTN Calling
- Call hold/Call mute
- Mobile Calling Experience via Bluetooth

Other Features

- Screensaver
- Built-in Bluetooth
- Supports Busylight (Optional)
- Supports BT50 Dongle (Optional)
- Reset to factory, reboot

Display and Indicator

- 4.0" 480 x 800 capacitive touch screen
- Two-angle [45°/ 53°] stand
- Multi-language user interface
- Modern Teams interface
- LED for call and message waiting indication

Interface

- 3 x USB 3.0 Type A Ports for PC:
 - USB device
 - Bluetooth device via BT50
- 1 x Security lock port
- 1 x 12V DC power port
- 1 x 2.5mm Busylight port
- 1 x RJ9 (4P4C) handset port
- 1 x RJ9 (4P4C) headset port

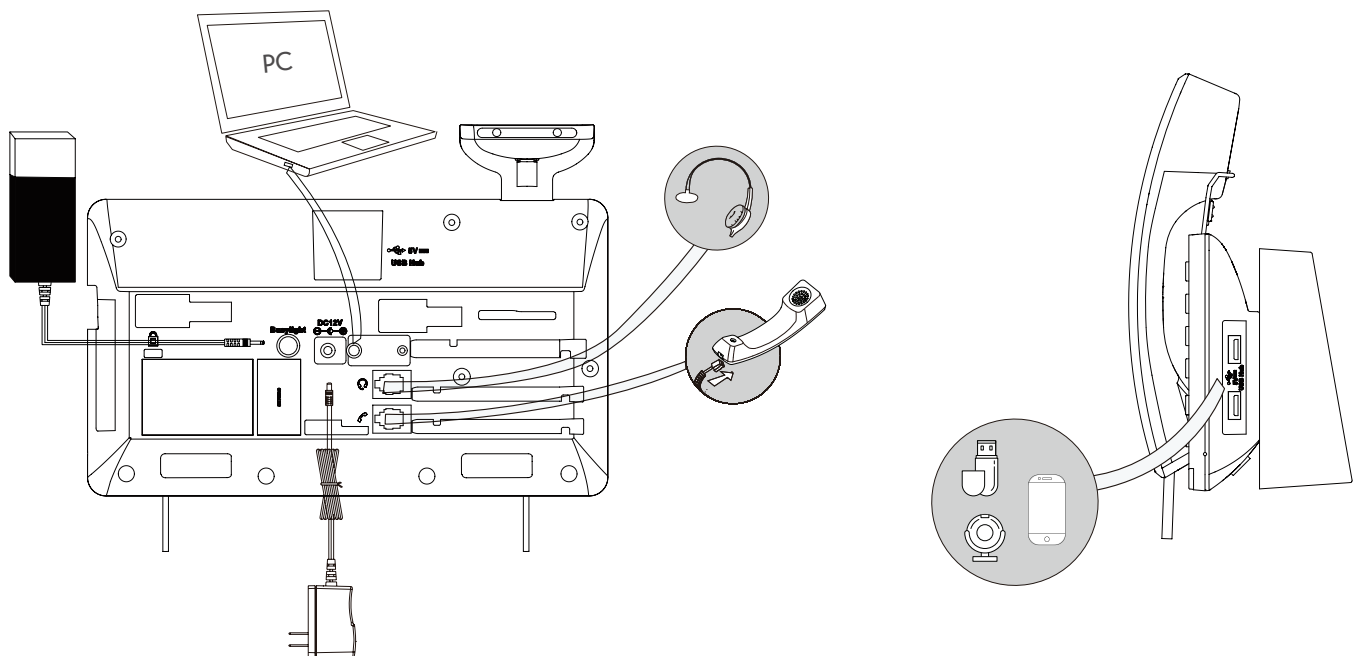
Other Physical Features

- External Yealink AC adapter:
 - AC 100~240V input and DC 12V/1A output
- USB output currency: 5V \equiv 500mA
- Power consumption (PSU): 1.23W-9.6W

- Dimension (W*D*H*T):
 - 223mm*159mm*127mm*36mm
- Operating humidity: 10~95%
- Operating temperature: -10~50°C (+14~122°F)

Package Features

- Package content:
 - Yealink MP50 USB phone
 - Handset with handset cord
 - Power Adapter
 - Stand
 - Quick Start Guide
 - Busylight (Optional)
 - BT50 Dongle (Optional)
- Qty/CTN: 5 PCS
- N.W/CTN: 4.6 kg
- G.W/CTN: 5.1 kg
- Giftbox size: 249 mm*179 mm*103 mm
- Carton Meas: 529 mm*188 mm*261 mm



About Yealink

Yealink is a global leading provider of enterprise communication and collaboration solutions, offering video conferencing service to worldwide enterprises. Focusing on research and development, Yealink also insists on innovation and creation. With the outstanding technical patents of cloud computing, audio, video and image processing technology, Yealink has built up a panoramic collaboration solution of audio and video conferencing by merging its cloud services with a series of endpoints products. As one of the best providers in more than 140 countries and regions including the US, the UK and Australia, Yealink ranks No.1 in the global market share of SIP phone shipments.

Copyright

Copyright © 2021 YEALINK(XIAMEN) NETWORK TECHNOLOGY CO., LTD.

Copyright © 2021 Yealink(Xiamen) Network Technology CO., LTD. All rights reserved. No parts of this publication may be reproduced or transmitted in any form or by any means, electronic or mechanical, photocopying, recording, or otherwise, for any purpose, without the express written permission of Yealink(Xiamen) Network Technology CO., LTD.

Technical Support

Visit Yealink WIKI (<http://support.yealink.com/>) for firmware downloads, product documents, FAQ, and more. For better service, we sincerely recommend you to use Yealink Ticketing system (<https://ticket.yealink.com>) to submit all your technical issues.



YEALINK(XIAMEN) NETWORK TECHNOLOGY CO.,LTD.
Web: www.yealink.com
Addr: No.1 Ling-Xia North Road, High Tech Park,
Huli District, Xiamen, Fujian, P.R.C
Copyright©2021 Yealink Inc. All right reserved.